

TECHNICAL DATA

ENCLOSURE :-  
EX-d AS PER IS/IEC 60079-1:2007

PROTECTION :-  
IP-66 AS PER IS 12063-1987 (IS/IEC 60529:2001)

AREA CLASSIFICATION :-  
ZONE -1 & 2

TEMPERATURE CLASS :-  
T6

GAS GROUPS :-  
IIA & IIB

MATERIAL OF CONSTRUCTION :-  
DIE CAST AL. ALLOY LM-6

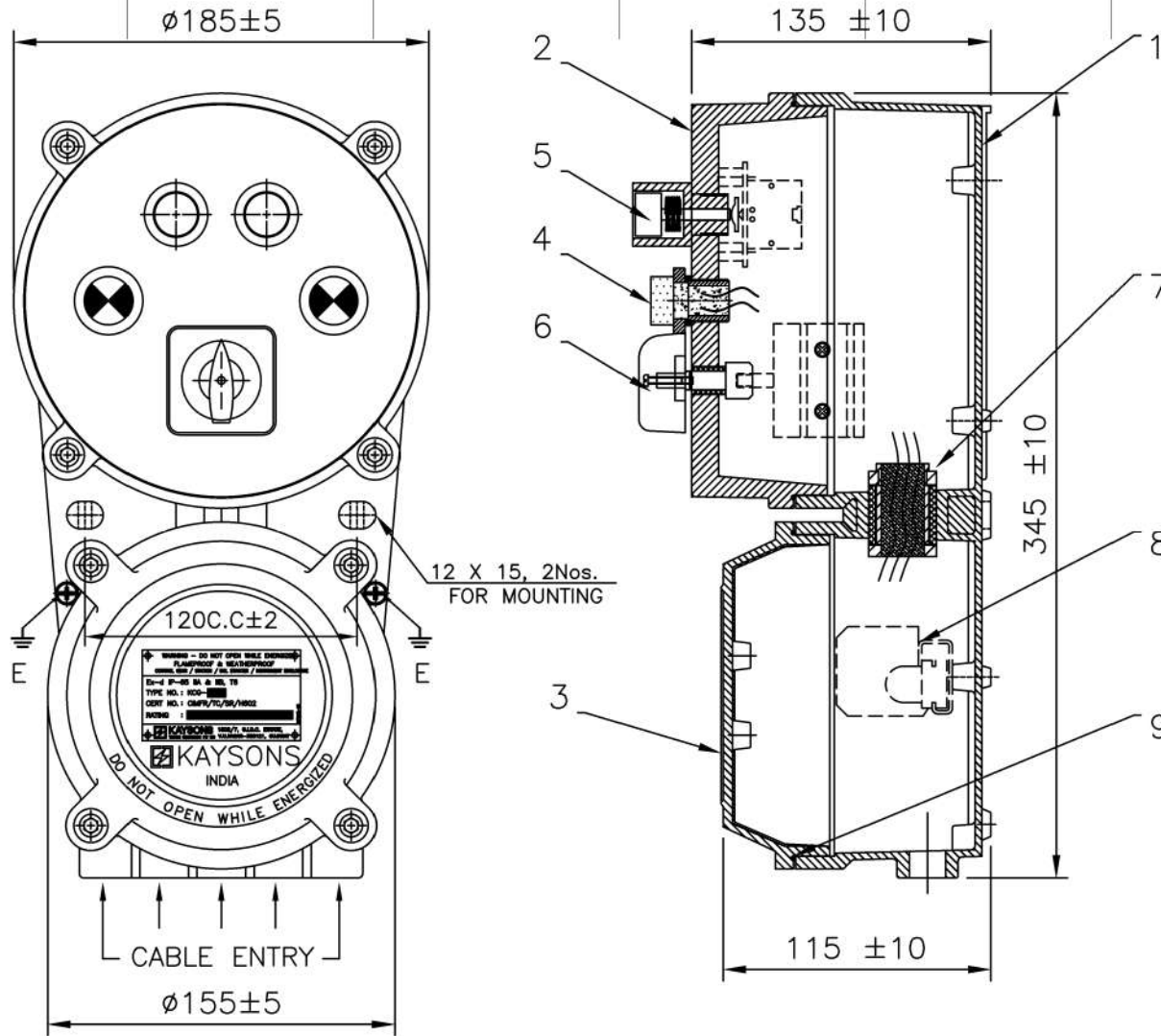
HARDWARE :-  
STEEL ZINC PLATED/STAINLESS STEEL

FINISH :-  
LIGHT GREY POWDER COATED.

EARTHING :-  
1 NO. INSIDE & 2 NOS. OUTSIDE

CABLE ENTRY :-  
3/4"ET - 5NOS.

09.	GASKET (ENDLESS, MOULDED)	2	NEOPRENE
08.	TERMINAL	A.R.	CLIPON TYPE
07.	WIRE BUSH	1	GLASSFEEL NYLONE
06.	ROTARY SWITCH	1	A.R.
05.	P.B. WITH NO-NC ELEMENTS	2	P.P.
04.	INDICATING LAMP	2	A.R.
03.	TERMINAL ENCLOSURE COVER	1	DIE CAST AL. ALLOY
02.	MAIN ENCLOSURE COVER	1	CAST AL. ALLOY
01.	BODY	1	DIE CAST AL. ALLOY
NO.	DESCRIPTION	QTY	MAT./RATING



CLIENT :-

CONSULTANT :-

P.O.NO. :-

DRAWN MGP 1.9.16

CH'D MGP 1.9.16

APP'D NPB 1.9.16

DESCRIPTION:-

FLP WP. CONTROL STATION WITH  
START - STOP P.B.,  
INDICATING LAMP & ROTARY SWITCH

SHT.NO.

REV.

DRG.NO.:-

1 OF 1

0

B15



**KAYSONS**  
TECHNO EQUIPMENTS PVT LTD

1802/7, G.I.D.C. ESTATE,  
V.U.NAGAR 388121. (GUJARAT)